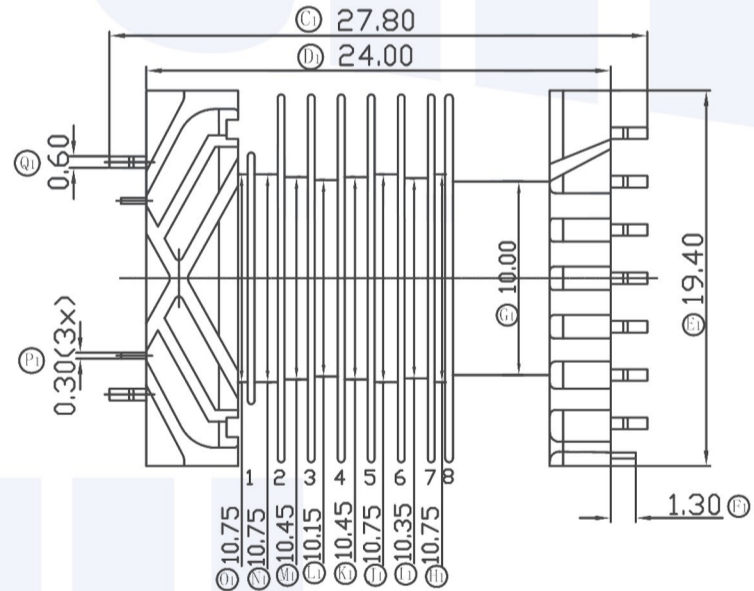
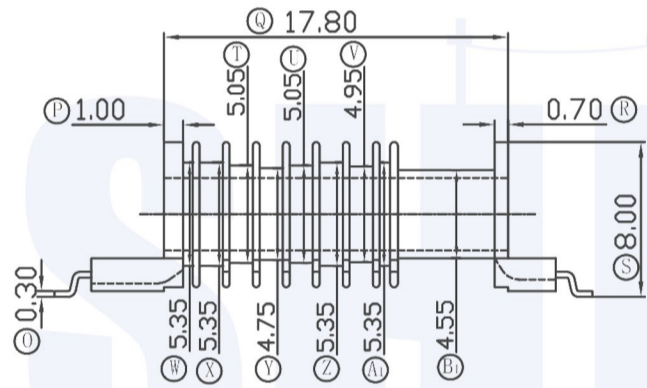
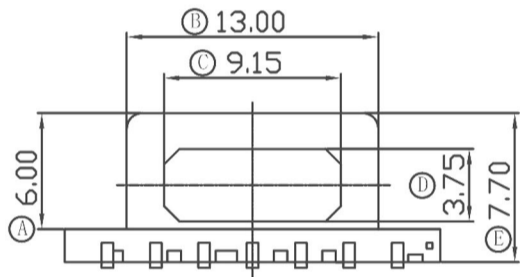
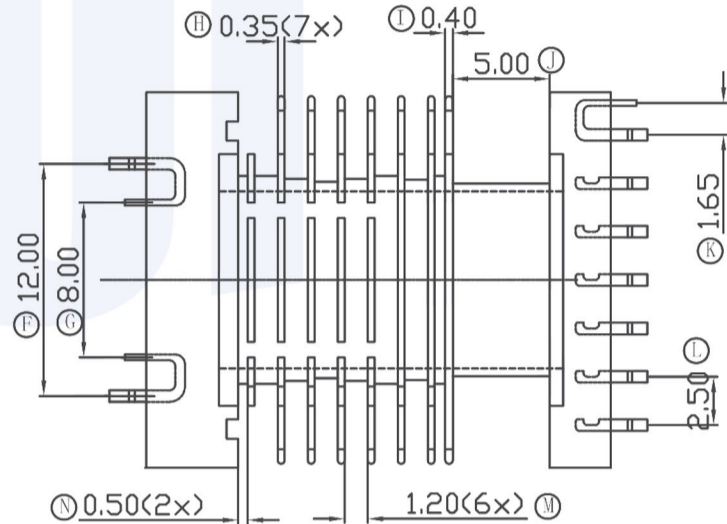
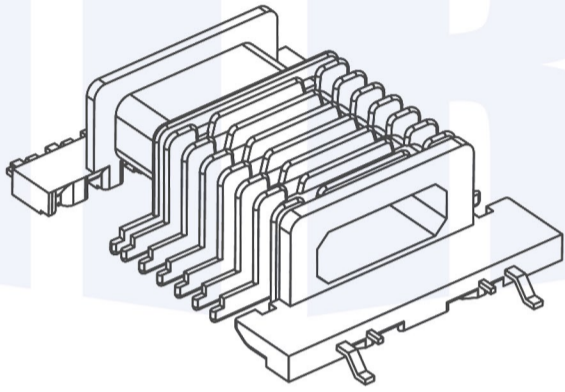
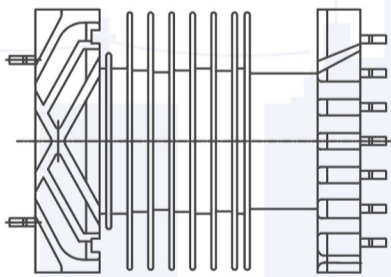


SHIRUI

P/N
SR-SMD EFD2001



SR-SMD EFD2001-1



Hefei Shirui Electronic Technology Co., Ltd

www.shiruitech.com

TEL:(0086)55165232650

sales@shiruitech.com

SR NO.

SR-SMD EFD2001

MATERIAL:

PHENOLIC

UNIT: mm

TOLERANCE

DRN.

WILL H

MODEL NAME:

SMD-EFD20-8S H

UL REC: UL 94V-0

ANGLE: ± °



SCALE 1:1

0 < L ≤ 4 ±0.10

4 < L ≤ 16 ±0.20

16 < L ≤ 64 ±0.30

PIN PITCH ±0.05

CHD.

IRINA LEE

ISSD.

JAMES HU